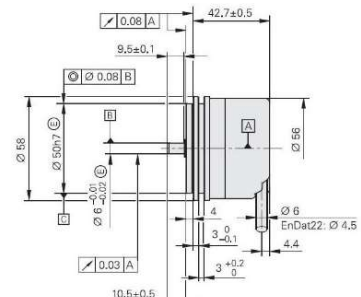
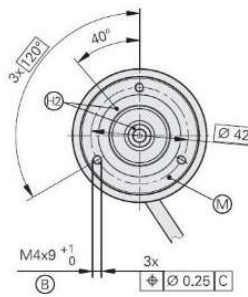


ENCODER INCREMENTALE AD ALBERO SPORGENTE - INCREMENTAL SOLID SHAFT ENCODER



Modello – Model	ROD 426	ROD 436	ROD 486
Tipo – Type	INCREMENTAL	INCREMENTAL	INCREMENTAL
Sicurezza – Safety	No	No	No
Risoluzione – Resolution available	1024, 2048, 4096 ppr		1024, 2048, 4096 SinCos
Uscita – Output	TTL (5 Vdc)	HTL (10...30 Vdc)	SinCos 1 Vpp
Segnali – Signals	A, A-, B, B-, Z, Z-, Sens+, Sens-		Cos+, Cos-, Sin+, Sin-, Z, Z-, Sens+, Sens-
Alimentazione – Supply	4,5...5,5 Vdc	10...30 Vdc	4,5...5,5 Vdc
Corrente senza carico – Current without load	< 120 mA	< 150 mA (30V)	< 120 mA
Interfaccia – Interface	-		
Nr. di giri totali – Total nr. of turns	-		
Nr. di posizioni per giro – Nr. of steps per revolution	-		
Nr. di posizioni totali – Total nr. of steps	-		
Frequenza max. – Max. frequency	300 kHz		180 kHz
Velocità di esercizio – Operating speed	12000 rpm		
Temperatura di esercizio – Working temperature	-20...+100 °C		
Custodia e albero – Housing and shaft	d.58 mm, solid shaft d.6 mm		
Grado di protezione – Protection degree	IP 64		
Connettore standard – Standard connector	Size 18 - 10 pin		
Cavo – Cable	1 m		
Peso – Weight	0,3 kg		
Inerzia – Inertia	27 gcm ²		
Resistenza agli urti – Res. to shocks (IEC 60068-2-27)	< 200 g (6 ms)		
Resistenza alle vibrazioni – Res. to vibrations (IEC 60068-2-6)	< 30 g (55...2000 Hz)		
Note:	Richiesta flangia ID257044-01 + Giunto isolato K17-02; Adapter flange ID257044-01 + Insulated coupling K17-02 required		

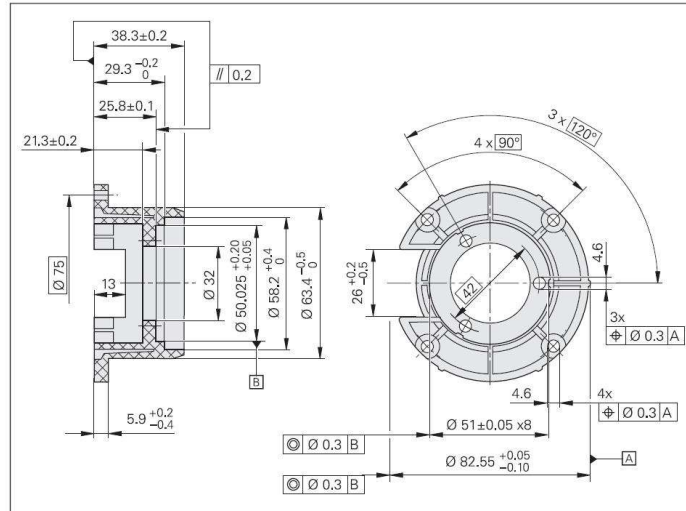
CONNETTORE - CONNECTOR	PIN	SEGNALE - SIGNAL		COLORE - COLOR
		ROD426 / ROD436	ROD 486	
	A	A	COS+	Marrone - Brown
	B	Z	Z	Rosso - Red
	C	B	SIN+	Grigio - Grey
	D	-	-	-
	E	SHIELD	SHIELD	Schermo - Shield
	F	+ VDC	+ VDC	Marrone/Verde + Blu - Brown/Green + Blue
	G	0V (GND)	0V (GND)	Bianco/Verde + Bianco - White/Green + White
	H	A-	COS-	Verde - Green
	I	Z-	Z-	Nero - Black
	J	B-	SIN-	Rosa - Pink

Technical data and drawings are subject to change without notice.

ACCESSORI - ACCESSORIES

Mounting accessories

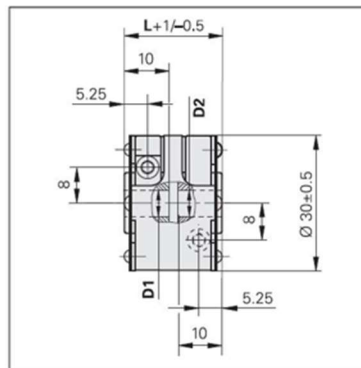
Adapter flange
(electrically nonconducting)
ID 257044-01



Diaphragm coupling K 17 with galvanic isolation
For ROC/ROQ/ROD 400 and RIC/RIQ 400 series
With **6 or 10 mm shaft diameter**
ID 296746-xx



Suitable also for potentially explosive atmospheres in zones 1, 2, 21 and 22



K 17 Variant	D1	D2	L
02	Ø 6 F7	Ø 10 F7	22 mm

mm
Tolerancing ISO 8015
ISO 2768 - m H
< 6 mm: ±0.2 mm

Technical data and drawings are subject to change without notice.